

FUSION CEILING MOUNT SOLUTIONS

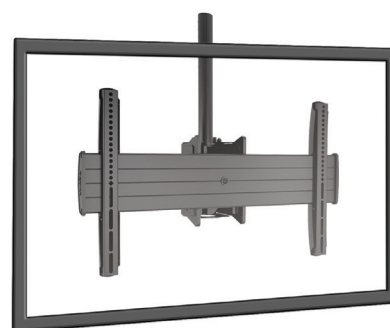
Single Display Series*

Chief Fusion™ Flat Panel Ceiling Mounts are installer inspired, offering ideal display positioning and flexible adjustments for flat panel screens. Great for digital signage installations.

- Ceiling plate and extension column are required and must be ordered separately
- Compatible with traditional 1.5" NPT and new CPA pinned ceiling plates and column systems
- See [ceiling plates](#) and extension columns ([Adjustable](#) and [Fixed](#)) for 1.5" NPT compatibility
- See [CPA ceiling plates](#) and [CPA columns](#) for pin connection compatibility
- Enhance installation aesthetics to the back of displays, components and mount with the [Chief Fusion Universal Back Covers](#)

**MCM1U can be installed in landscape or portrait orientation.*

For more portrait, back-to-back and accessory part numbers, refer to our [Fusion Ceiling Mounts Brochure](#).



Fusion Large Flat Panel Ceiling Mount (LCM1U)



Features

REPEATABILITY

Continuous tilt ranges with four set locking points to eliminate guess work when adjusting multiple screens.

ACCESSIBILITY

Simple on/off connection for ease of installation and service.

CENTRIS® FINGERTIP TILT

Effortlessly adjust display using Centris fingertip tilt technology.

SIMPLE & SECURE

Tool free screen engagement with optional padlock security.

FLEXIBILITY

Mount swivels to any preferred viewing angle. Set screws lock in desired angle.



Fusion Large Flat Panel Ceiling Mount (LCM1U) with Fusion Single Flat Panel Back Cover Accessory (FCAC1LB) - display sold separately






Detail: Fusion Large Flat Panel Ceiling Mount (LCM1U) tilt adjustment



Detail: Fusion Large Flat Panel Ceiling Mount (LCM1U)



Detail: Fusion Large Flat Panel Ceiling Mount (LCM1U), column accessories sold separately

Model	Recommended Screen Sizes	Configuration	Weight Capacity (per screen)	Mounting Pattern (WxH)
MCM1U	32 - 65"		125 lbs (56.7 kg)	200 x 100 mm - 460 x 400 mm
LCM1U	42 - 75"		125 lbs (56.7 kg)	200 x 100 mm - 616 x 400 mm
XCM1U	55 - 100"		250 lbs (113.4 kg)	200 x 100 mm - 800 x 400 mm

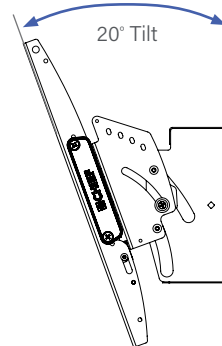
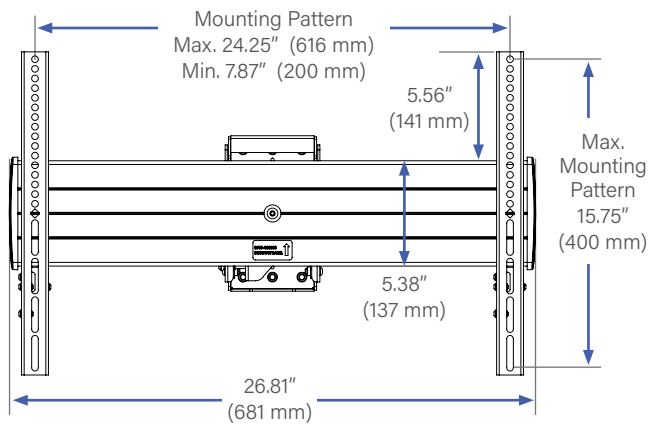
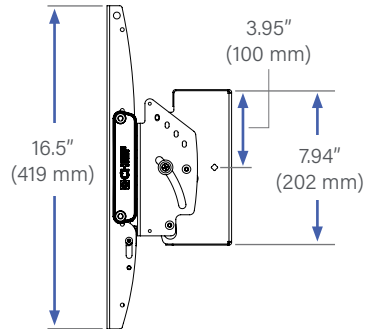
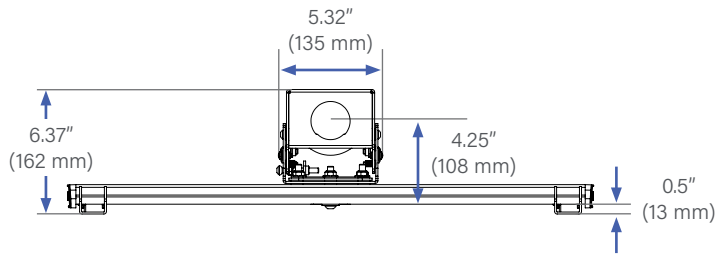
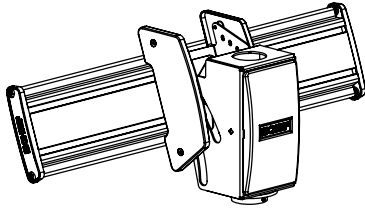


Landscape

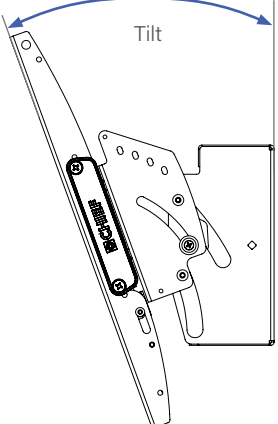
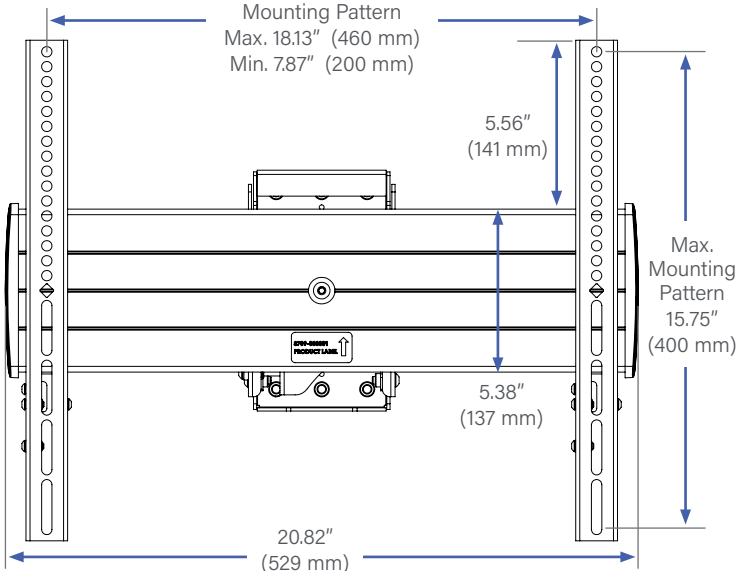
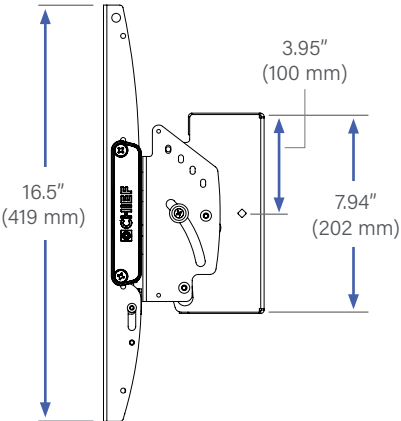
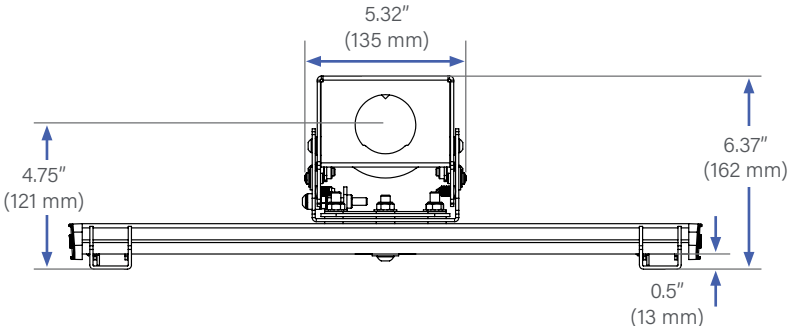
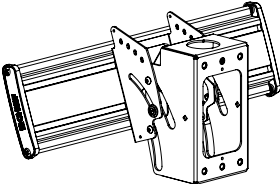


Landscape/Portrait

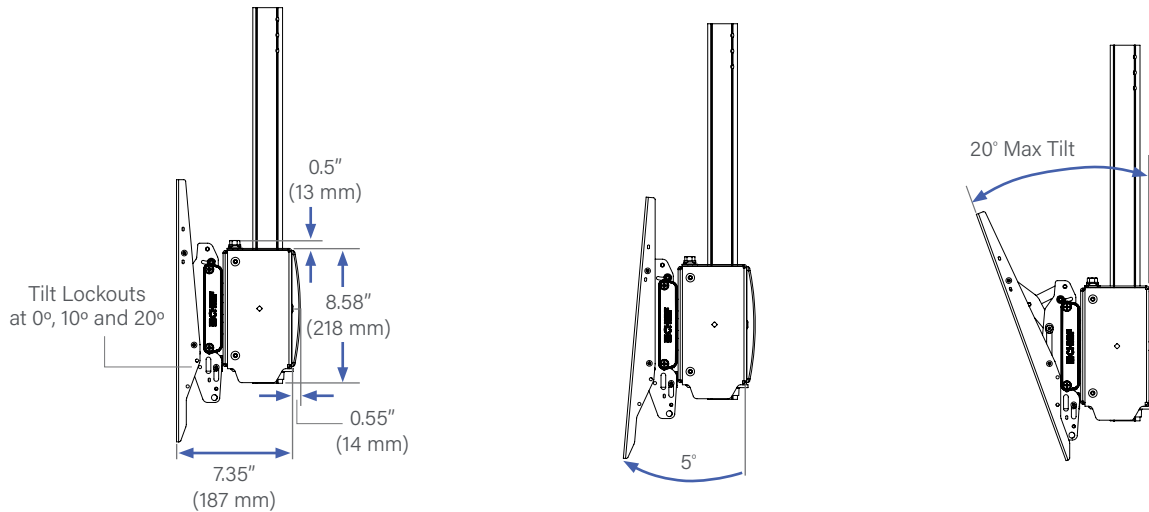
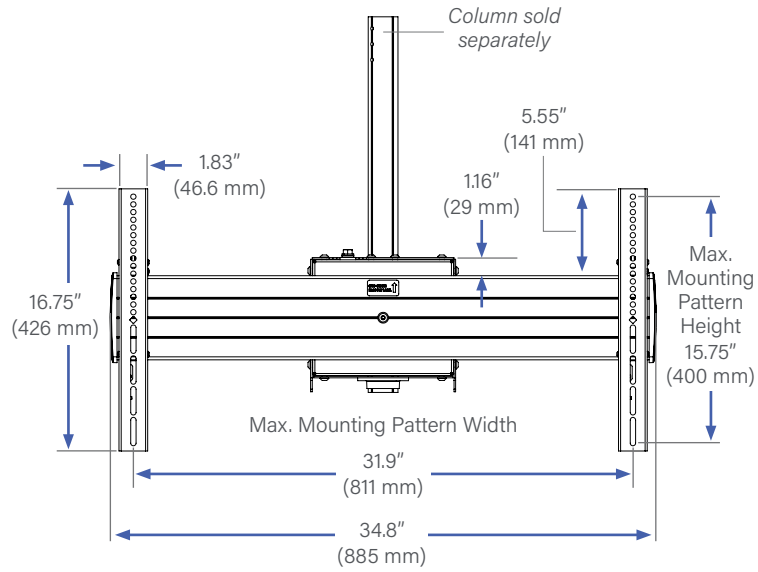
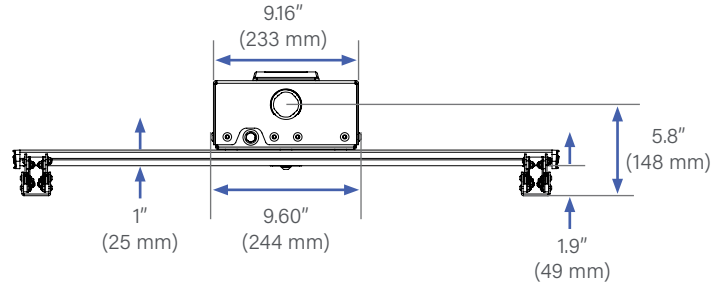
LCM1U



MCM1U



XCM1U



C2G | Chief | Da-Lite | Luxul | Middle Atlantic | Nuvo
On-Q | Projecta | Sanus | Vaddio | Wiremold

AMAZING AV EXPERIENCES | legrandav.com

USA 866.977.3901 av.support@legrand.com CANADA 877.345.4329 av.support@legrand.com

EMEA +31 495 580 840 av.emea.sales@legrand.com APAC +852 2145 4099 av.asia.sales@legrand.com

©2021 Legrand AV Inc. 210286 Rev A 6/21 C2G, Chief, Da-Lite, Luxul, Middle Atlantic, Projecta and Vaddio are registered trademarks of Legrand AV Inc. All other brand names or marks are used for identification purposes and are trademarks of their respective owners. All patents are protected under existing designations. Other patents pending.