

FUSION™ MANUAL HEIGHT ADJUSTABLE CARTS AND STANDS

Chief's Fusion® Series single-display carts and stands provide users a great-looking portable AV solution packed with time-saving features.



XPA1U Extra-Large Flat Panel Cart

FEATURES:

- Sleek design aesthetics to provide a professional look that fits into any environment
- Turn knob allows a single user to raise and lower the screen by hand or power drill
- Flexible cable covers allow access at any point along the column while concealing cables for a clean installation (XPA1U covers can be removed completely)
- +5/-5 degrees of tilt and effortless display adjustment
- Tool-free latching flags allow for additional padlock security
- Carts include smooth rolling and lockable castors for easy positioning; XPA1U also includes handles
- XPA1U and XFA1U feature a magnetic, removable front cover for easy cable routing to AV components stored inside
- Black or silver finish

*See our [Fusion Series Cart & Stand Solutions Brochure](#) for more information on mounts and accessories.



Tool-Free Latching Flags



Easy Height Adjustment

FUSION™ MANUAL HEIGHT ADJUSTABLE CARTS AND STANDS

Chief's Fusion® Series single-display carts and stands provide users a great-looking portable AV solution packed with time-saving features.



MPAU
Medium Flat Panel Cart



LFAU
Large Flat Panel Floor Stand



XFA1U
Extra-Large Flat Panel Floor Support

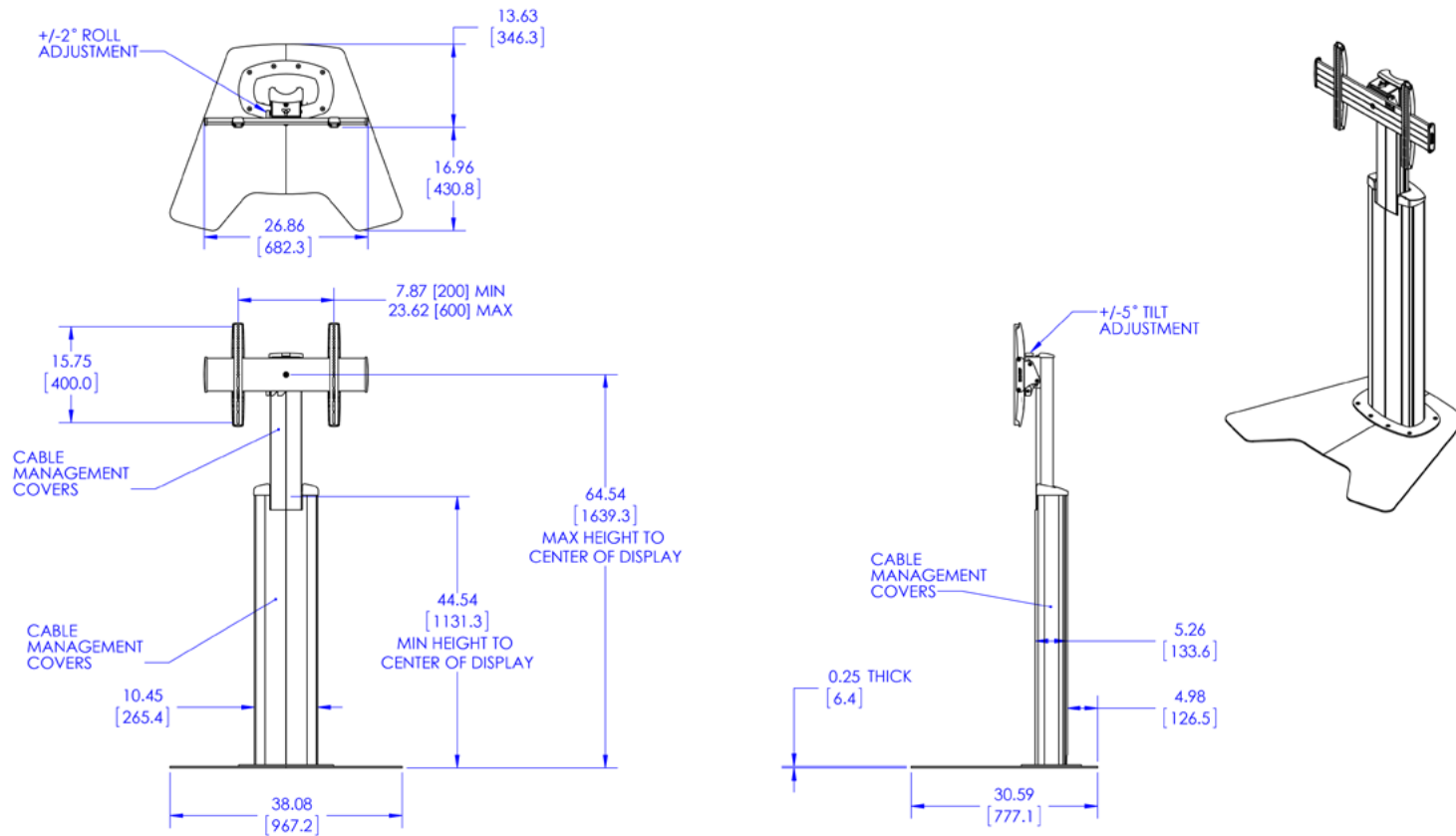


XPA1U
Extra-Large Flat Panel Cart

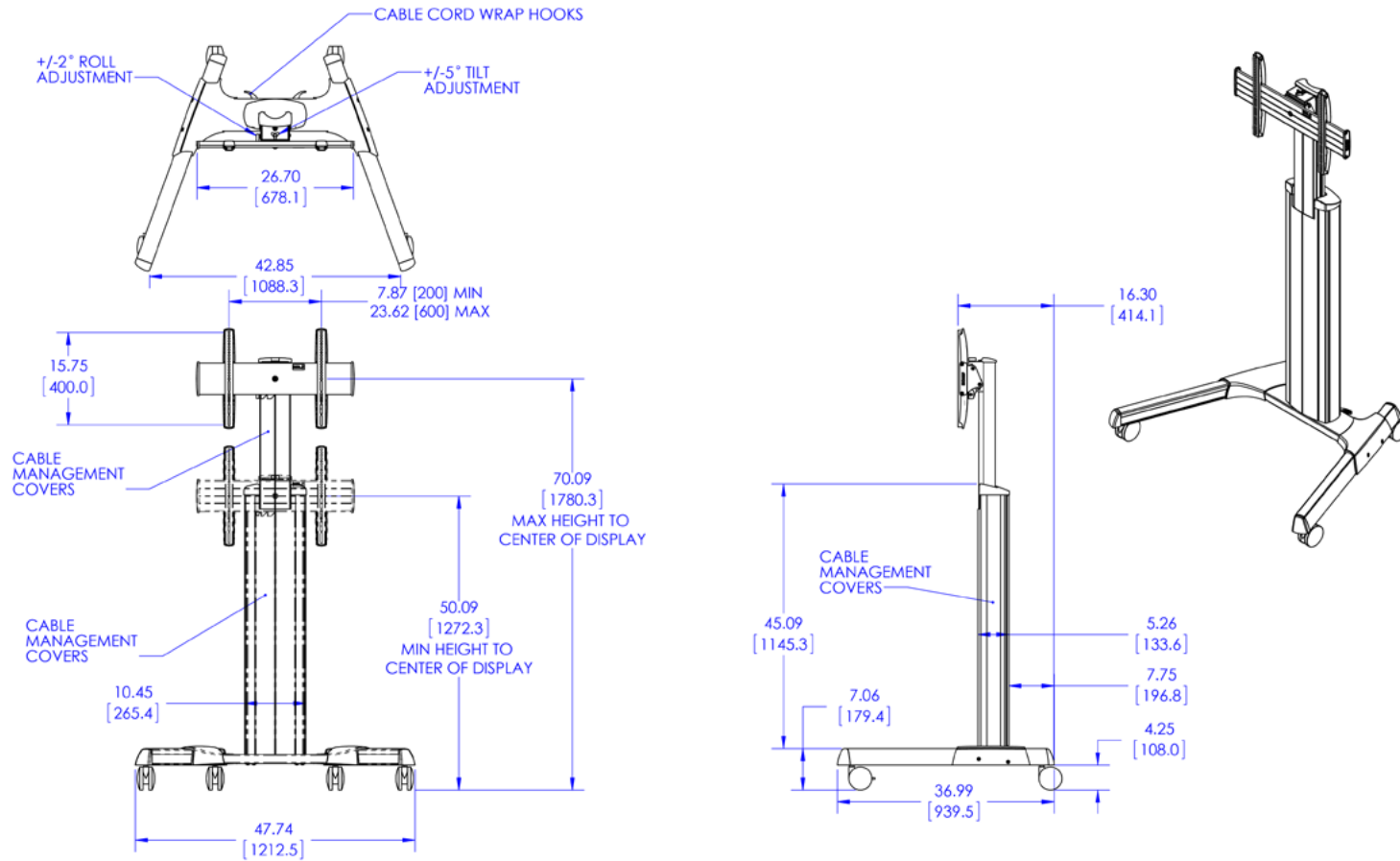
SPECIFICATIONS

Model	Recommended Screen Size	Tilt	Height Adjustment*	Maximum Mounting Patterns (WxH)	Weight Capacity	Color
XPA1U	55 - 100" +	±5°	48 - 65" (1.2 - 1.7 m)	800 x 400 mm	300 lbs (136 kg)	Black, Silver
XFA1U	55 - 100" +	±5°	42 - 59.6" (1.1 - 1.5 m)	800 x 400 mm	300 lbs (136 kg)	Black, Silver
LPAU	40 - 80"	±5°	50 - 70" (1.2 - 1.8 m)	800 x 400 mm	200 lbs (90.7 kg)	Black, Silver
MPAU	30 - 55"	±5°	50 - 70" (1.2 - 1.8 m)	600 x 400 mm	125 lbs (56.7 kg)	Black, Silver
LFAU	40 - 80"	±5°	44.5 - 64.5" (1.1 - 1.6 m)	800 x 400 mm	200 lbs (90.7 kg)	Black, Silver
MFAU	30 - 55"	±5°	44.5 - 64.5" (1.1 - 1.6 m)	600 x 400 mm	125 lbs (56.7 kg)	Black, Silver

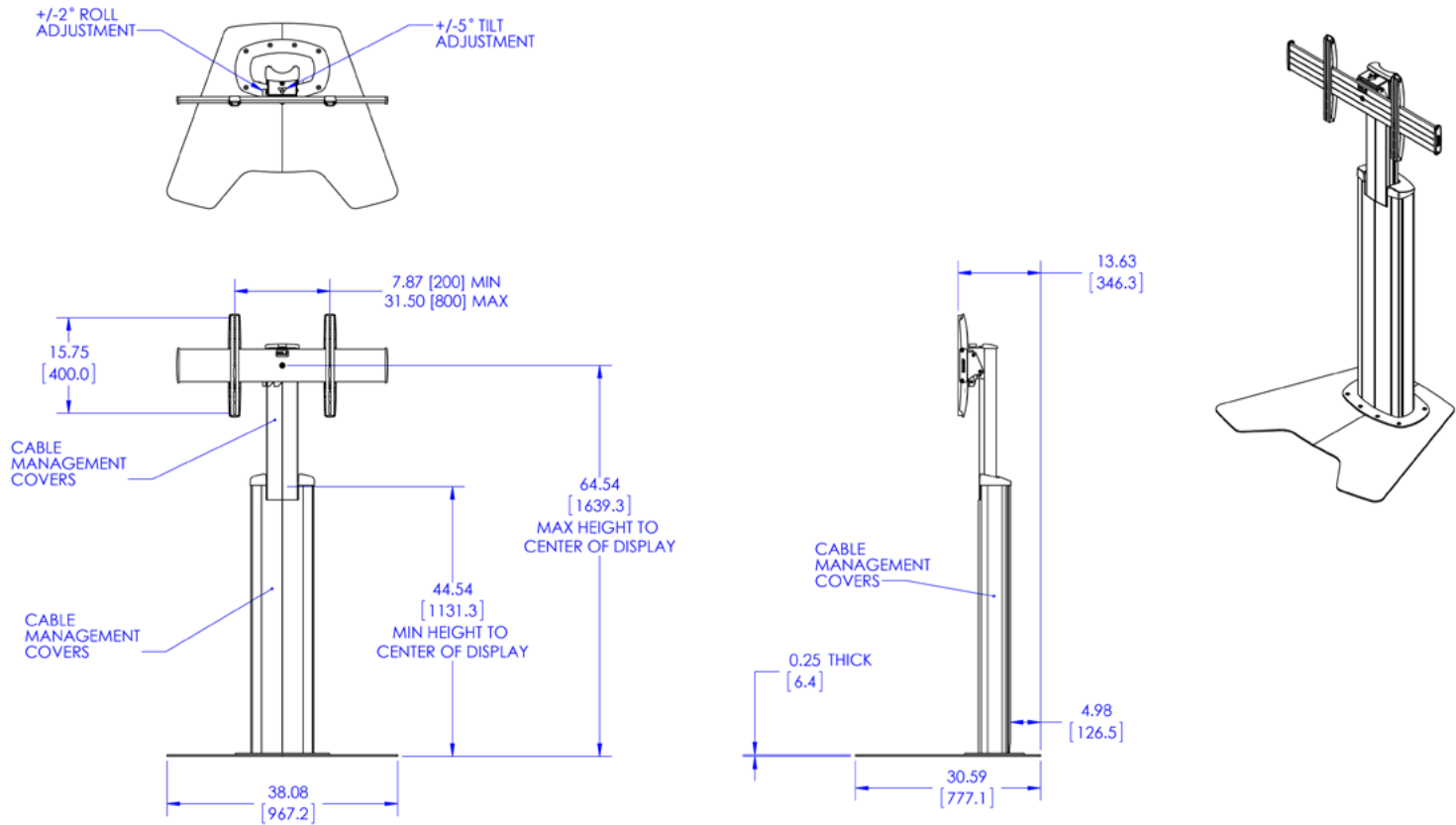
MFAU



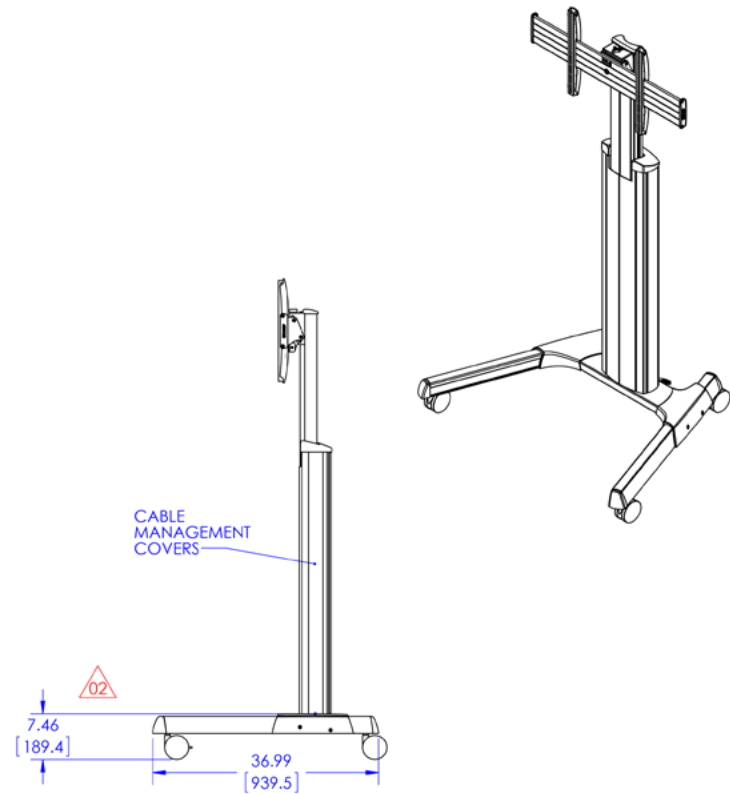
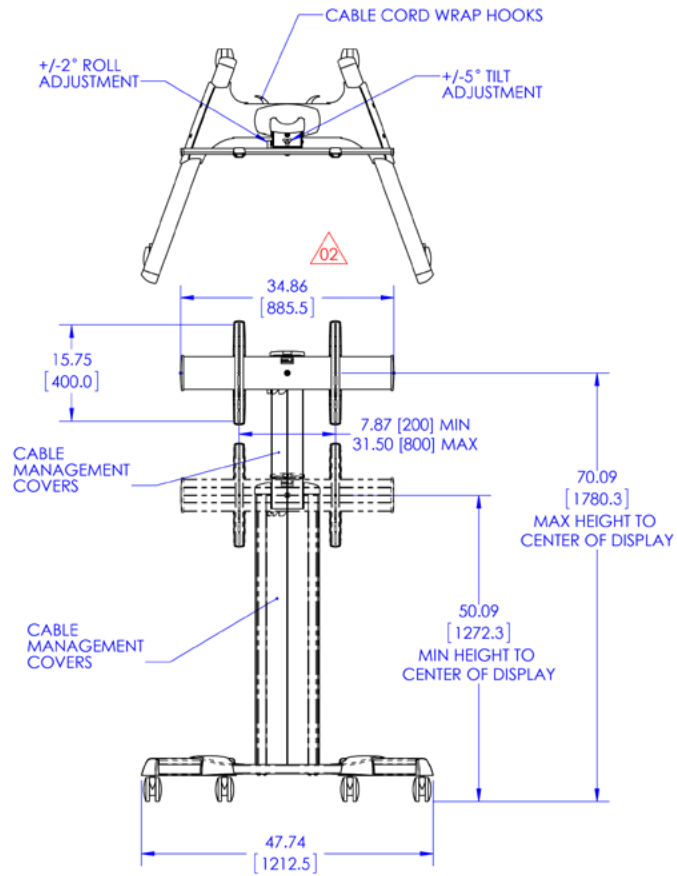
MPAU



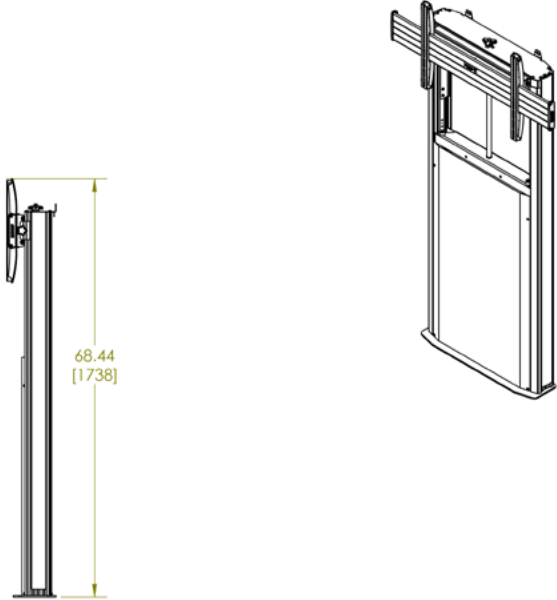
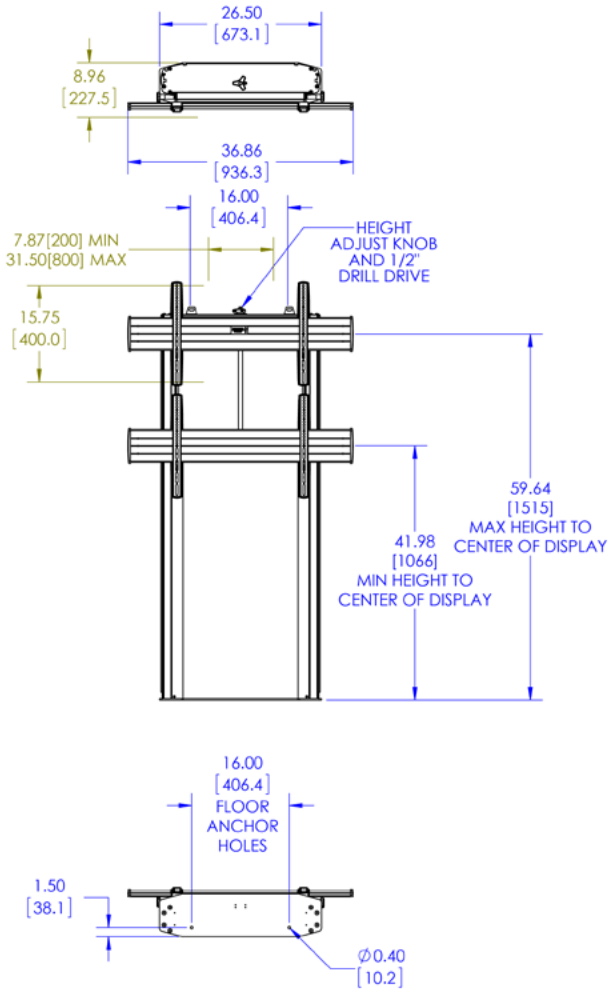
LFAU



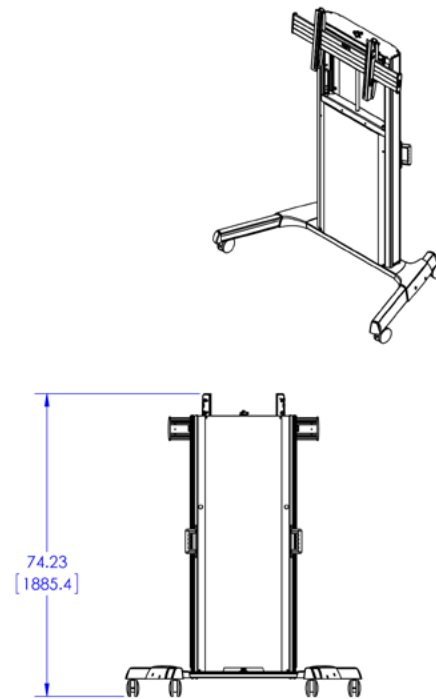
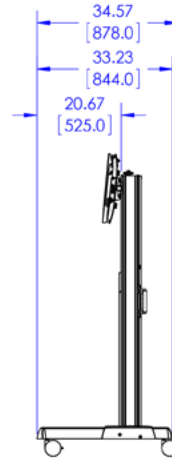
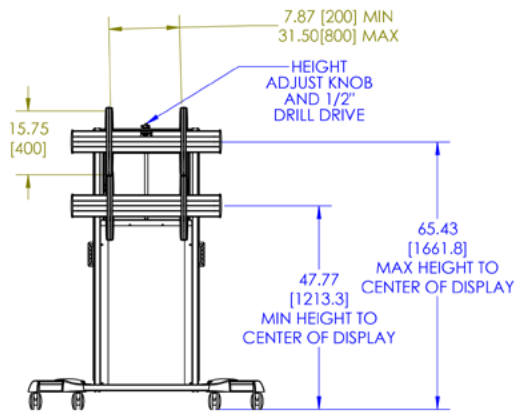
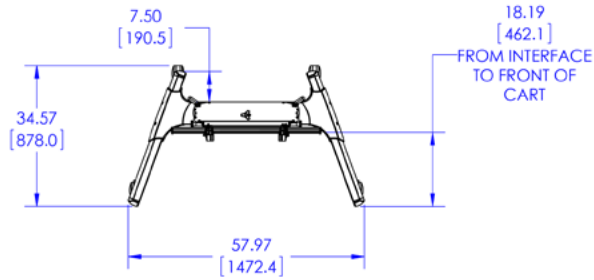
LPAU



XFA1U



XPA1U



LEGRAND | AV COMMERCIAL BRANDS
C2G | Chief | Da-Lite | Luxul | Middle Atlantic | Vaddio | Wiremold

INSTALLER INSPIRED | legrandav.com

USA 866.977.3901 av.chief.support@legrand.com CANADA 877.345.4329 av.chief.canada@legrand.com

EMEA +31 495 580 840 av.emea.sales@legrand.com APAC +852 2145 4099 av.asia.sales@legrand.com