

Fast-Fold® NXT Screens

Portable Folding Screens



SPECIFICATION DATA

SUGGESTED SPECIFICATIONS: _____ projection screen(s), _____(H) x _____(W), portable type. To have flexible screen surface, flame retardant and mildew resistant. Screen surface will have reinforced black binding on all four sides and will attach to side of frame with clips. Frame to consist of lightweight, folding 1½" x 1¾" rectangular hard alloy aluminum tubing, clear etched and anodized to be brushed and burr free. Frame sections are

joined with internal sliding hinge to allow for easy folding. Corners are slip jointed with a push button latch. Legs support the screen and allow height adjustments up or down in 3/8" (10 mm) increments. Includes wheeled polyethylene carrying case. Polyethylene carrying cases meet or exceed Air Transport Association (ATA) Specification 300 standards.

HDTV (16:9) Format Dimensions

Viewing Area (H x W)		Nominal Diagonal		Overall Size (H x W)		Approx. Ship. Wt.	
In.	Cm	In.	Cm	In.	Cm	Lbs.	Kg
52" x 92"	132 x 234	106"	269	58" x 98"	147 x 249	86	39
58" x 104"	147 x 264	119"	302	64" x 110"	163 x 279	88	39.9
65" x 116"	165 x 295	133"	338	71" x 122"	180 x 310	93	42.2
79" x 140"	201 x 356	159"	404	85" x 146"	216 x 371	99	44.9
90" x 160"	229 x 406	184"	467	96" x 166"	244 x 422	112	50.8
108" x 192"	274 x 488	220"	559	114" x 198"	290 x 503	118	53.5

Wide (16:10) Format Dimensions

Viewing Area (H x W)		Nominal Diagonal		Overall Size (H x W)		Approx. Ship. Wt.	
In.	Cm	In.	Cm	In.	Cm	Lbs.	Kg
58" x 92"	147 x 234	109"	277	64" x 98"	163 x 249	85	38.6
65" x 104"	165 x 264	123"	312	71" x 110"	180 x 279	88	39.9
73" x 116"	185 x 295	137"	348	79" x 122"	201 x 310	97	44
88" x 140"	224 x 356	165"	419	94" x 146"	239 x 371	101	45.8
100" x 160"	254 x 406	189"	480	106" x 166"	269 x 422	112	50.8
120" x 192"	305 x 488	226"	574	126" x 198"	320 x 503	118	53.5

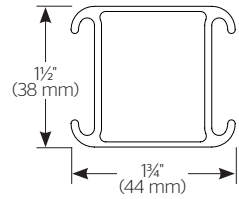
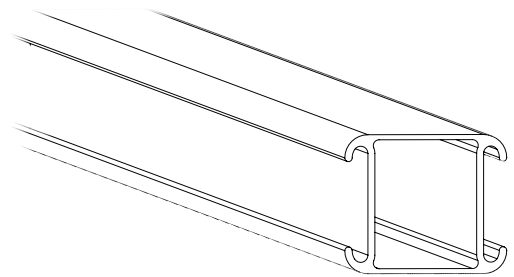
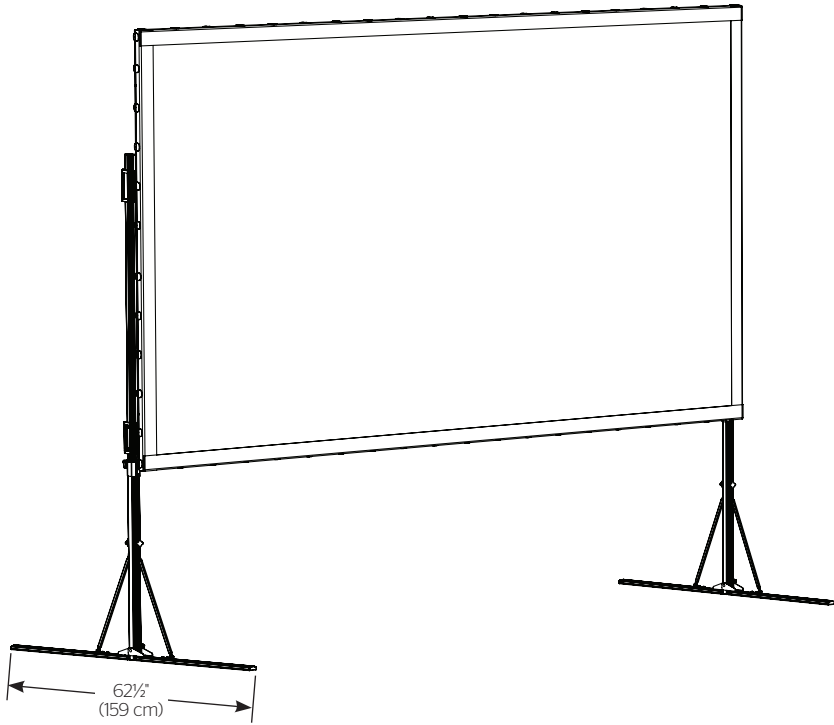
PRODUCT NOTES

- All surfaces up to 16' high will be seamless.
- Binding is welded to surface.
- HD Rental, Da-Tex and Dual Vision surfaces will include a standard black border. Border size is 3".
- HD Rental Wrap Around will have a borderless viewing area that matches the overall frame size, white binding that does not extend into the viewable area and white clips.
- Height can be adjusted after legs are attached.

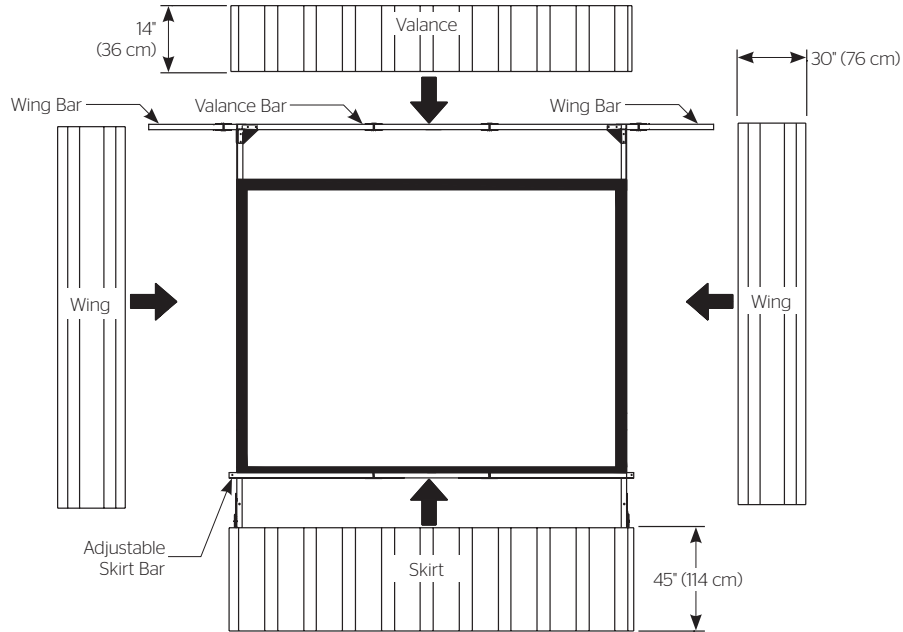
WHEN ORDERING, MARK APPROPRIATE SELECTIONS:

- Select size from charts on the other side.
- Select viewing surface (All Da-Lite surfaces are GREENGUARD GOLD Certified.):
 - HD Rental
 - HD Rental Wrap Around (Viewable Area Will Equal Overall Size)
 - Da-Tex® (rear)
 - Dual Vision
- Optional accessories:

<ul style="list-style-type: none"> <input type="checkbox"/> 3 Bracket Fly Kit (For all sizes up to 160" wide viewable) <input type="checkbox"/> Ultra Velour Drapery Presentation Kit <ul style="list-style-type: none"> <input type="checkbox"/> Black <input type="checkbox"/> Blue <input type="checkbox"/> Gray 	<ul style="list-style-type: none"> <input type="checkbox"/> Replacement Surface Only. <ul style="list-style-type: none"> <input type="checkbox"/> HD Rental <input type="checkbox"/> HD Rental Wrap Around <input type="checkbox"/> Da-Tex® (rear) <input type="checkbox"/> Dual Vision
---------------------------------------------------------------------------------------------------------------------------------------------------------------------------------------------------------------------------------------------------------------------------------------------------------------------------------------------------------------------------------------------------------------	-------------------------------------------------------------------------------------------------------------------------------------------------------------------------------------------------------------------------------------------------------------------------------------------------------------------------------------------------------------------------------



Optional Drapery Kit With Skirt Bar



FOR YOUR IMAGE | legrandav.com

USA P 866.977.3901 E info@da-lite.com
 CANADA P 877.345.4329 E canadainfo@milestone.com
 EMEA P +31 495 580 840 E emea.sales@milestone.com
 APAC P +852 2145 4099 E asia.da-lite@milestone.com

In British Columbia, Milestone AV Technologies ULC carries on business as MAVT Milestone AV Technologies ULC.
 ©2018 Milestone AV Technologies. DL-0711 (Rev. 2) 9/18 Da-Lite is a registered trademark of Milestone AV Technologies. All other brand names or marks are used for identification purposes and are trademarks of their respective owners. All patents are protected under existing designations. Other patents pending.

Project Name: _____

Architect: _____

Contractor: _____ Phone: _____

Reseller: _____ Phone: _____