

# Model C

## Parts List

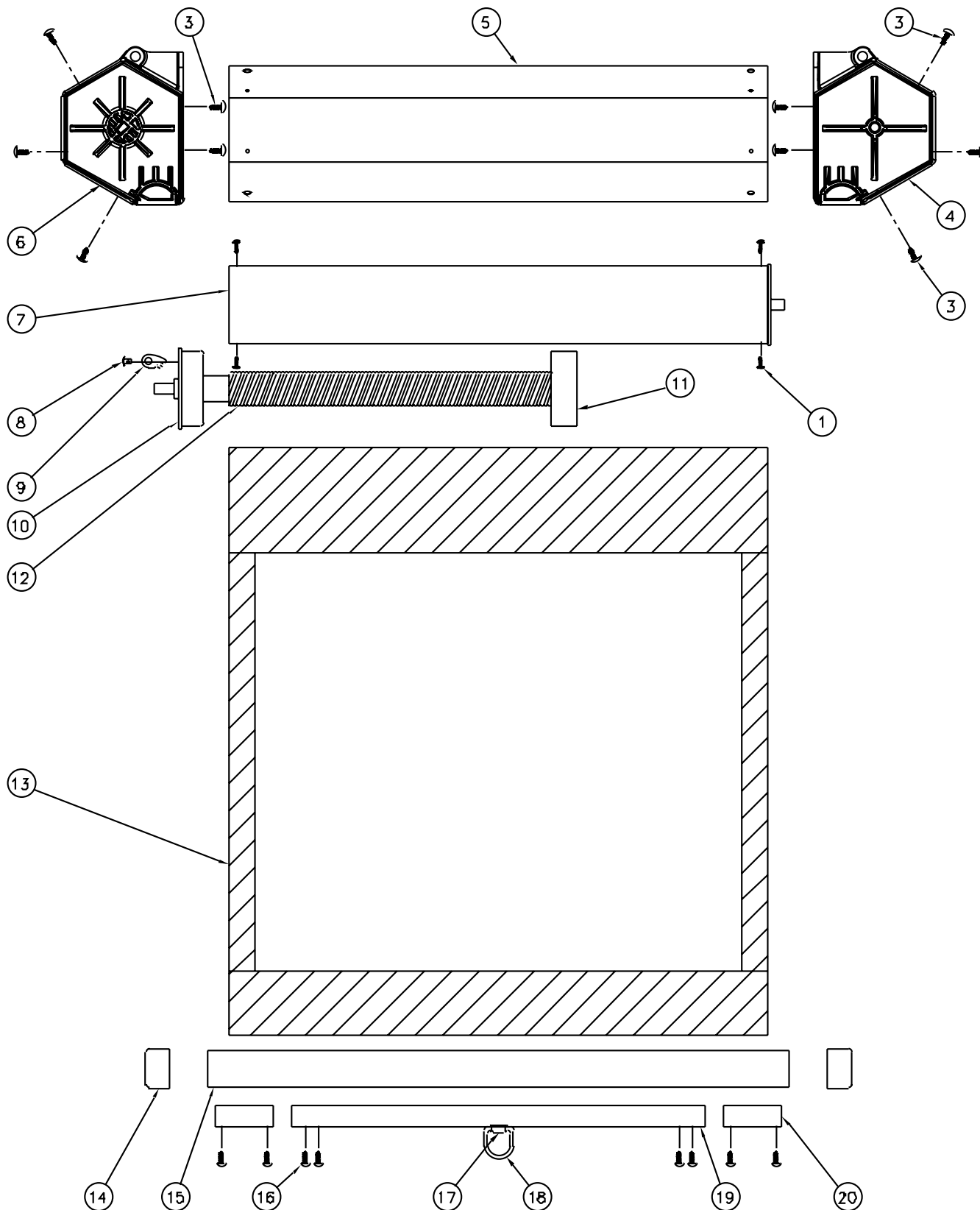


Diagram Number	Da-Lite Number	Description	Quantity Required	List Price Each
<b>1</b>	82998	Screw for pin end and spring end assembly for 3" roller	6	\$0.16
<b>2</b>	80765	Roller plug for 1 3/4" roller (not shown)	1	\$2.30
<b>3</b>	25736	Screw for end caps	10	\$0.27
<b>4</b>	37238	Pin end cap, white plastic for screens with 1 3/4" roller (not shown)	1	\$5.85
	37246	Pin end cap, white plastic for screens with 3" roller	1	\$5.85
<b>5</b>	78343	White case for 60" and 72" diag. screens	1	\$48.30
	78344	White case for 70" and 84" diag. screens	1	\$52.80
	33636WHITE	White case for 72" screens	1	\$55.80
	78345	White case for 84", 100" diag., 92" diag. and 94" diag. screens with 3" roller (Prior to 2-8-19)	1	\$63.70
	78283	White case for 8', 120" diag., 106" diag. and 109" diag. screens with 3" roller (Prior to 2-8-19)	1	\$71.30
	12182	White case for 84", 100" diag., 92" diag. and 94" diag. screens with 1 3/4" roller (2-8-19 and later)	1	\$63.70
	12183	White case for 8', 120" diag., 106" diag. and 109" diag. screens with 1 3/4" roller (2-8-19 and later)	1	\$71.30
	94724	White case for 110" diag. and 113" diag. screens	1	\$73.40
	78312	White case for 9', 119" diag. and 123" diag. screens	1	\$75.70
	35021WHITE	White case for 130" diag. screens	1	\$76.90
	78307	White case for 10', 150" diag., 133" diag. and 137" diag. screens	1	\$80.00
	78313	White case for 12', 180" diag. and 159" diag. screens	1	\$92.10
	92026	White case for 200" diag. screens	1	\$94.40
<b>6</b>	37237	Spring end cap, white plastic for screens with 1 3/4" roller (not shown)	1	\$5.85
	37245	Spring end cap, white plastic for screens with 3" roller	1	\$5.85
<b>7</b>		Roller assemblies include items #1, 2 (plug), and 12		
	93958	1 3/4" roller assy. for 60" and 72" diag. screens (not shown)	1	\$39.50
	93959	1 3/4" roller assy. for 70" and 84" diag. screens (not shown)	1	\$41.90
	33645	1 3/4" roller assy. for 72" screens (not shown)	1	\$42.30
	57707	3" roller Roller assy. for 84", 100" diag., 92" diag. and 94" diag. Screens (Prior to 2-8-19)	1	\$155.00
	57686	3" roller Roller assy. for 8', 120" diag., 106" diag. and 109" diag. screens (Prior to 2-8-19)	1	\$160.00
	93961	1 3/4" Roller assy. for 84", 100" diag., 92" diag. and 94" diag. Screens (2-8-19 and later)	1	\$41.90
	93962	1 3/4" Roller assy. for 8', 120" diag., 106" diag. and 109" diag. screens (2-8-19 and later)	1	\$42.80
	72403	Roller assy. for 110" diag. and 113" diag. screens	1	\$161.00
	57687	Roller assy. for 9', 119" diag. and 123" diag. screens	1	\$163.00
	35800	Roller assy. for 130" diag. screens	1	\$167.00
	57688	Roller assy. for 10', 150" diag., 133" diag. and 109" diag. screens	1	\$166.00
	57685	Roller assy. for 12', 180" diag., 159" diag. and 164" diag. screens	1	\$172.00
	92029	Roller assy. for 200" diag. screens	1	\$175.00
<b>8</b>	44726	Screw for dog for 3" roller	1	\$0.29
<b>9</b>	98223	Pawl (dog) for 3" roller	1	\$1.50
<b>10</b>	57705	Plug and spear assy. for 3" roller (includes #8 and 9)	1	\$31.50
<b>11</b>	45118	Plastic anchor for spring assy. for 3" roller	1	\$2.65
<b>12</b>	93495	Spring assy. for 1 3/4" roller (not shown)	1	\$28.10
	57706	Spring assy. for 3" roller (includes #10 and 11)	1	\$101.00
<b>13</b>		Screen Surface		
		HDTV (16:9) Format		
	84050	Fabric, Matte White 45" x 80" - 92" diag. (Prior to 2-8-19)	1	\$213.00
	92813	Fabric, High Contrast Matte White 45" x 80" - 92" diag. (Prior to 2-8-19)	1	\$230.00
	12184	Fabric, Matte White 45" x 80" - 92" diag. (2-8-19 and later)	1	\$213.00
	12185	Fabric, High Contrast Matte White 45" x 80" - 92" diag. (2-8-19 and later)	1	\$230.00
	78951	Fabric, Matte White 52" x 92" - 106" diag. (Prior to 2-8-19)	1	\$294.00
	92814	Fabric, High Contrast Matte White 52" x 92" - 106" diag. (Prior to 2-8-19)	1	\$322.00
	12187	Fabric, Matte White 52" x 92" - 106" diag. (2-8-19 and later)	1	\$294.00
	12188	Fabric, High Contrast Matte White 52" x 92" - 106" diag. (2-8-19 and later)	1	\$322.00

Diagram Number	Da-Lite Number	Description	Quantity Required	List Price Each
	94379	Fabric, Matte White 54" x 96" - 110" diag.	1	\$322.00
	94380	Fabric, High Contrast Matte White 54" x 96" - 110" diag.	1	\$353.00
	78954	Fabric, Matte White 58" x 104" - 119" diag.	1	\$343.00
	92815	Fabric, High Contrast Matte White 58" x 104" - 119" diag.	1	\$377.00
	78957	Fabric, Matte White 65" x 116" - 133" diag.	1	\$395.00
	92816	Fabric, High Contrast Matte White 65" x 116" - 133" diag.	1	\$435.00
	78960	Fabric, Matte White 78" x 139" - 159" diag.	1	\$641.00
	92817	Fabric, High Contrast Matte White 78" x 139" - 159" diag.	1	\$663.00
		Wide (16:10) Format		
	34841	Fabric, Matte White 50" x 80" - 94" diag. (Prior to 2-8-19)	1	\$213.00
	34842	Fabric, High Contrast Matte White 50" x 80" - 94" diag. (Prior to 2-8-19)	1	\$230.00
	12202	Fabric, Matte White 50" x 80" - 94" diag. (2-8-19 and later)	1	\$213.00
	12203	Fabric, High Contrast Matte White 50" x 80" - 94" diag. (2-8-19 and later)	1	\$230.00
	70457	Fabric, Matte White 57.5" x 92" - 109" diag. (Prior to 2-8-19)	1	\$294.00
	70458	Fabric, High Contrast Matte White 57.5" x 92" - 109" diag. (Prior to 2-8-19)	1	\$322.00
	12205	Fabric, Matte White 57.5" x 92" - 109" diag. (2-8-19 and later)	1	\$294.00
	12206	Fabric, High Contrast Matte White 57.5" x 92" - 109" diag. (2-8-19 and later)	1	\$322.00
	34845	Fabric, Matte White 60" x 96" - 113" diag.	1	\$322.00
	34846	Fabric, High Contrast Matte White 60" x 96" - 113" diag.	1	\$353.00
	21653	Fabric, Matte White 65" x 104" - 123" diag.	1	\$343.00
	21654	Fabric, High Contrast Matte White 65" x 104" - 123" diag.	1	\$377.00
	34849	Fabric, Matte White 69" x 110" - 130" diag.	1	\$395.00
	34850	Fabric, High Contrast Matte White 69" x 110" - 130" diag.	1	\$435.00
	70461	Fabric, Matte White 72.5" x 116" - 137" diag.	1	\$395.00
	70462	Fabric, High Contrast Matte White 72.5" x 116" - 137" diag.	1	\$435.00
	34853	Fabric, Matte White 87" x 139" - 164" diag.	1	\$641.00
	34854	Fabric, High Contrast Matte White 87" x 139" - 164" diag.	1	\$663.00
		Video (4:3) Format		
	48625	Fabric, Matte White 60" x 80" - 100" diag. (Prior to 2-8-19)	1	\$213.00
	92810	Fabric, High Contrast Matte White 60" x 80" - 100" diag. (Prior to 2-8-19)	1	\$230.00
	12220	Fabric, Matte White 60" x 80" - 100" diag. (2-8-19 and later)	1	\$213.00
	12221	Fabric, High Contrast Matte White 60" x 80" - 100" diag. (2-8-19 and later)	1	\$230.00
	74342	Fabric, Matte White 69" x 92" - 120" diag. (Prior to 2-8-19)	1	\$294.00
	92811	Fabric, High Contrast Matte White 69" x 92" - 120" diag. (Prior to 2-8-19)	1	\$322.00
	12223	Fabric, Matte White 69" x 92" - 120" diag. (2-8-19 and later)	1	\$294.00
	12224	Fabric, High Contrast Matte White 69" x 92" - 120" diag. (2-8-19 and later)	1	\$322.00
	48625	Fabric, Matte White 60" x 80" - 100" diag.	1	\$213.00
	92810	Fabric, High Contrast Matte White 60" x 80" - 100" diag.	1	\$230.00
	74342	Fabric, Matte White 69" x 92" - 120" diag.	1	\$294.00
	92811	Fabric, High Contrast Matte White 69" x 92" - 120" diag.	1	\$322.00
	77173	Fabric, Matte White 87" x 116" - 150" diag.	1	\$395.00
	92812	Fabric, High Contrast Matte White 87" x 116" - 150" diag.	1	\$435.00
	77294	Fabric, Matte White 105" x 140" - 180" diag.	1	\$748.00
	86832	Fabric, Matte White 120" x 160" - 200" diag.	1	\$952.00
		Square Format		
	90858	Fabric, Matte White 60" x 60"	1	\$116.00
	92780	Fabric, High Contrast Matte White 60" x 60"	1	\$127.00
	90862	Fabric, Matte White 70" x 70"	1	\$142.00
	92799	Fabric, High Contrast Matte White 70" x 70"	1	\$155.00

Diagram Number	Da-Lite Number	Description	Quantity Required	List Price Each
	34293	Fabric, Matte White 72" x 72"	1	\$152.00
	37113	Fabric, High Contrast Matte White 72" x 72"	1	\$167.00
	76103	Fabric, Matte White 84" x 84" (Prior to 2-8-19)	1	\$230.00
	92802	Fabric, High Contrast Matte White 84" x 84" (Prior to 2-8-19)	1	\$255.00
	12238	Fabric, Matte White 84" x 84" (2-8-19 and later)	1	\$230.00
	12239	Fabric, High Contrast Matte White 84" x 84" (2-8-19 and later)	1	\$255.00
	74342	Fabric, Matte White 6' x 8'	1	\$294.00
	92811	Fabric, High Contrast Matte White 6' x 8'	1	\$322.00
	46124	Fabric, Matte White 8' x 8' (Prior to 2-8-19)	1	\$331.00
	92804	Fabric, High Contrast Matte White 8' x 8' (Prior to 2-8-19)	1	\$366.00
	12241	Fabric, Matte White 8' x 8' (2-8-19 and later)	1	\$331.00
	12242	Fabric, High Contrast Matte White 8' x 8' (2-8-19 and later)	1	\$366.00
	46125	Fabric, Matte White 7' x 9'	1	\$343.00
	46126	Fabric, Matte White 9' x 9'	1	\$528.00
	46127	Fabric, Matte White 8' x 10'	1	\$395.00
	46128	Fabric, Matte White 10' x 10'	1	\$658.00
	77294	Fabric, Matte White 9' x 12'	1	\$748.00
	46130	Fabric, Matte White 12' x 12'	1	\$590.00
<b>14</b>	38244	Slat cap, black plastic	2	\$0.59
<b>15</b>	87044	Slat for 60" and 72" diag. screens	1	\$11.10
	87045	Slat for 70" and 84" diag. screens	1	\$13.30
	33638	Slat for 72" screens	1	\$13.60
	87046	Slat for 84", 100" diag., 92" diag. and 94" diag. screens	1	\$15.00
	87047	Slat for 8', 120" diag., 106" diag. and 109" diag. screens	1	\$17.10
	72401	Slat for 110" diag. and 113" diag. screens	1	\$17.70
	45074	Slat for 9', 119" diag. and 123" diag. screens	1	\$19.20
	35020	Slat for 130" diag. screens	1	\$19.80
	45075	Slat for 10', 150" diag., 133" diag. and 137" diag. screens	1	\$21.00
	45076	Slat for 12', 180" diag., 159" diag. and 164" diag. screens	1	\$25.60
	86844	Slat for 200" diag. screens	1	\$31.40
<b>16</b>	25735	Screw for saddle assy.	8	\$0.27
<b>17</b>	76991	Bail frame for 50" through 96" screens	1	\$3.75
	93855	Pop rivet for D-ring and bail frame for 50" through 96" screens (not shown)	2	\$0.50
<b>18</b>	45253	D-ring, black	1	\$0.40
<b>19</b>	78259	Saddle assy. for 9', 110" diag., 119" diag., 113" diag. and 123" diag. screens	1	\$29.20
	78260	Saddle assy. for 10', 12', 150" diag., 180" diag., 200" diag., 133" diag., 159" diag., 130" diag., 137" diag. and 164" diag. screens	1	\$36.40
	58253	Pull cord (not shown)	1	\$3.75
	98840	Packing for 60" screens	1	\$38.90
	98841	Packing for 70" screens	1	\$32.00
	33655	Packing for 72" screens	1	\$32.40
	95050	Packing for 84" screens (Prior to 2-8-19)	1	\$48.50
	95051	Packing for 8' screens (Prior to 2-8-19)	1	\$54.60
	12256	Packing for 84" screens (2-8-19 and later)	1	\$48.50
	12257	Packing for 8' screens (2-8-19 and later)	1	\$54.60
	95052	Packing for 9' screens	1	\$60.50
	35022	Packing for 130" diag. screens	1	\$64.60
	95053	Packing for 10' screens	1	\$66.60
	95054	Packing for 12' screens	1	\$76.90
	95055	Packing for 200" diag. screens	1	\$85.40